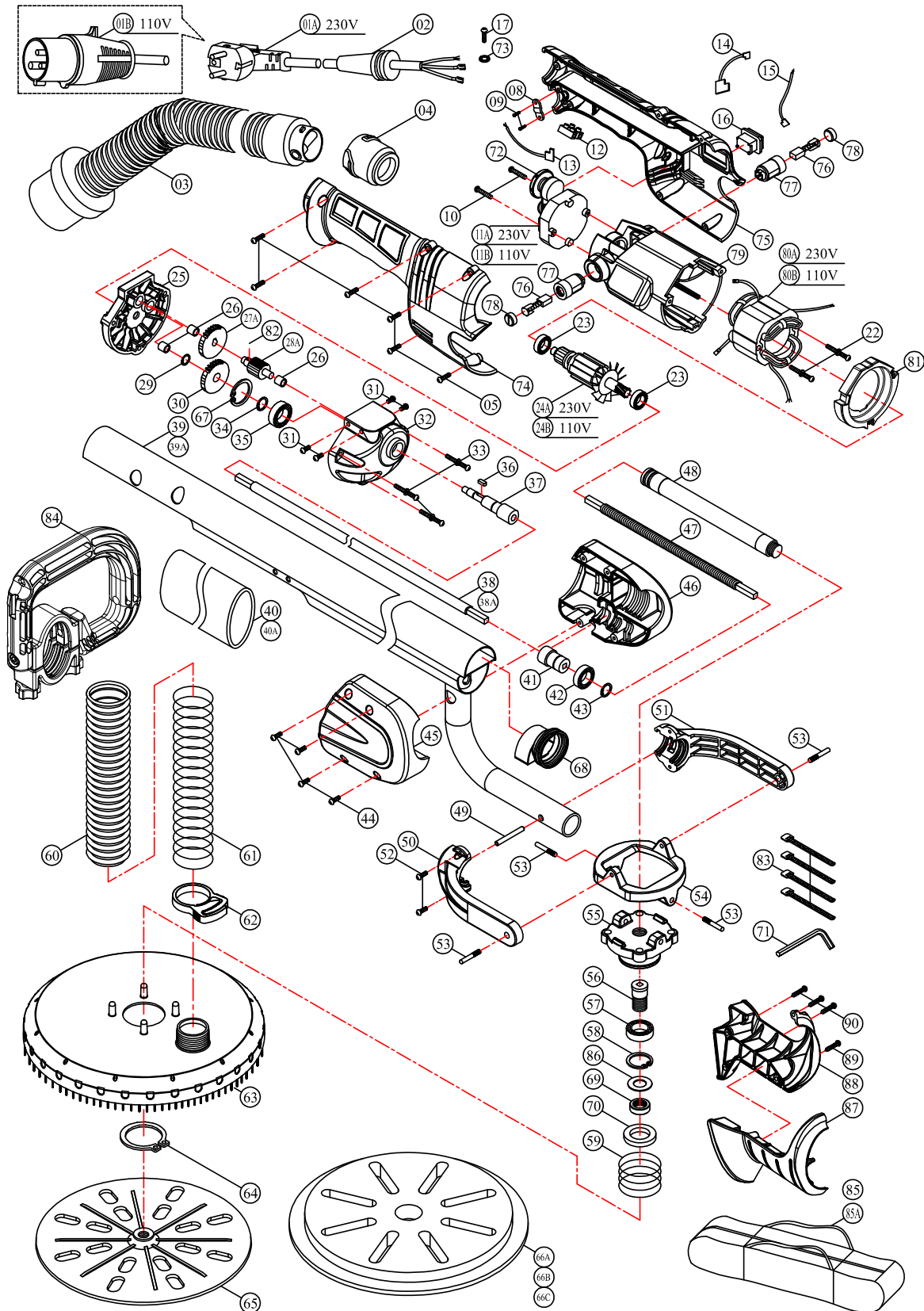


# Exploded view for Miro 955 & 955-S

Updated 01.12.2015

Shared spare parts for old version of 955 (230V), 915 (110V) and 915-S (230V) and new version of 955 (230V).



## Miro Kits

Mirkacode	Item	Description	Kit	QTY
8394020111		<b>Power Cable Kit 230V</b>		
	01-A	Power supply cable 230V VDE 1,0 x 3C x 4 m	x	1
	2	Cord armor	x	1
8394110111		<b>Power Cable Kit 110V</b>	x	
	01-B	Power supply cable 110V	x	1
	2	Cord armor	x	1
8394020311	3-1	<b>Vacuum hose connector kit</b>	x	1
	3-2		x	
8394020911		<b>Cable Clip Kit</b>		
	8	Cable clip	x	1
	9	Screw M4x14	x	2
8394023211		<b>Gear Box Assembly</b>		
	25	Gear plate	x	1
	26	Bushing 6x10x8	x	3
	27	Intermediate gear 0,6x44T	x	1
	28	Intermediate gear pinion 0,8x11T	x	1
	29	Internal circlip S-8	x	1
	30	Output gear M0,8x41T	x	1
	32	Gear case	x	1
	34	Internal circlip S-10	x	1
	35	Ball bearing 6200-2RU	x	1
	36	Woodruff key 3x3x8	x	1
37	Spindle	x	1	
67	External circlip R-30	x	1	
8394024111		<b>Shaft Connector Socket Kit</b>		
	41	Shaft connector socket	x	1
	42	Ball bearing 6001 2RU	x	1
8394024711	43	Internal circlip S-12	x	1
	47	<b>Drive cable kit</b>	x	
48	x		1	
8394026011	60	<b>Vacuum hose kit</b>	x	
	61		x	1
	62		x	
8394025711		<b>Bearing and Seal Kit</b>		
	57	Ball bearing 6002-2RSH	x	1
	69	Shaft race M14x20x6,5	x	1
	70	Radial shaft seal 20x32x5	x	1
8394018811	86	Felt washer	x	1
		<b>Hose Protection Device</b>		
	87	Hose Protection Device (right)	x	1
	88	Hose Protection Device (left)	x	1
	89	Screw	x	1
	90	Screws	x	3

Separate parts on next page

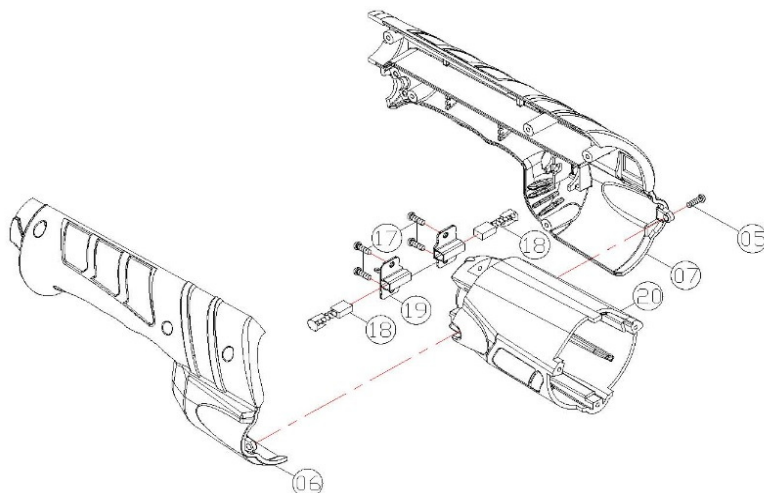
## Miro Spareparts

Mirkacode	Item	Description	Kit	QTY
	<b>1</b>	<b>Power supply cable 230 V VDE 1,0 x 3C x 4 m</b>	<b>x</b>	1
	<b>2</b>	<b>Cord armor</b>	<b>x</b>	1
8394110111		Power Supply Cable 110V Kit		
	<b>1-1</b>	<b>Power supply cable 230V VDE 1,0 x 3C x 4 m</b>	<b>x</b>	1
	<b>2</b>	<b>Cord armor</b>	<b>x</b>	1
<b>8394010311</b>	<b>3</b>	<b>Vacuum hose 4 m</b>		1
	<b>3-1</b>	<b>Vacuum hose connector kit</b>	<b>x</b>	1
	<b>3-2</b>	<b>Vacuum hose connector kit</b>	<b>x</b>	1
<b>8394010411</b>	<b>4</b>	<b>Female bayonet swivel connector</b>		1
	<b>8</b>	<b>Cable clip</b>	<b>x</b>	1
	9	Screw M4x14	<b>x</b>	2
<b>8394011011</b>	<b>10</b>	<b>Screw M4x25</b>		2
8394011111	<b>11</b>	<b>Speed control unit 230 V</b>		1
<b>8394111111</b>	<b>11-1</b>	<b>Speed control unit 110 V</b>		1
8394011211	12	Wire connector		2
<b>8394011311</b>	<b>13</b>	<b>Wire leader</b>		1
8394011411	<b>14</b>	<b>Wire leader</b>		1
<b>8394011511</b>	<b>15</b>	<b>Wire leader</b>		1
<b>8394021611</b>	<b>16</b>	<b>Motor switch kit (bigger)</b>		1
<b>8394011711</b>	<b>17</b>	<b>Screw M4x8</b>		1
<b>8394012111</b>	<b>21</b>	<b>Stator 230V</b>		1
<b>8394112111</b>	<b>21-1</b>	<b>Stator 110V</b>		1
8394012211	22	Stator screw M4x50		2
<b>8394012311</b>	<b>23</b>	<b>Ball bearing 608 2RU</b>		2
8394012411	<b>24</b>	<b>Armature 230 V</b>		1
<b>8394112411</b>	<b>24-1</b>	<b>Armature 110 V</b>		1
	25	Gear plate	<b>x</b>	1
	<b>26</b>	<b>Bushing 6x10x8</b>	<b>x</b>	3
	<b>27</b>	<b>Intermediate gear 0,6x44T</b>	<b>x</b>	1
	<b>28</b>	<b>Intermediate gear pinion 0,8x11T</b>	<b>x</b>	1
	<b>29</b>	<b>Internal circlip S-8</b>	<b>x</b>	1
	<b>30</b>	<b>Output gear M0,8x41T</b>	<b>x</b>	1
<b>8394013111</b>	<b>31</b>	<b>Screw M5x10</b>		4
	<b>32</b>	<b>Gear case</b>	<b>x</b>	1
8394013311	33	Screw w/washer M4x35		3
	<b>34</b>	<b>Internal circlip S-10</b>	<b>x</b>	1
	<b>35</b>	<b>Ball bearing 6200-2RU</b>	<b>x</b>	1
	<b>36</b>	<b>Woodruff key 3x3x8</b>	<b>x</b>	1
	37	Spindle	<b>x</b>	1
<b>8394003811</b>	<b>38</b>	<b>First drive shaft 254 mm 955-S</b>		1
8394013811	<b>38 A</b>	<b>First drive shaft 704 mm 955</b>		1
<b>8394003911</b>	<b>39</b>	<b>Extension column 577,3 mm 955-S</b>		1
<b>8394013911</b>	<b>39 A</b>	<b>Extension column 1027,3 mm 955</b>		1
<b>8394004011</b>	<b>40</b>	<b>Foam handle grip 955-S</b>		1
<b>8394014011</b>	<b>40 A</b>	<b>Foam handle grip 955</b>		1
	41	Shaft connector socket	<b>x</b>	1
	<b>42</b>	<b>Ball bearing 6001 2RU</b>	<b>x</b>	1
	43	Internal circlip S-12	<b>x</b>	1
<b>8394014411</b>	<b>44</b>	<b>Screw M4x20</b>		4
8394014511	45	Right drive cover		1
<b>8394014611</b>	<b>46</b>	<b>Left drive cover</b>		1

## Miro Spareparts

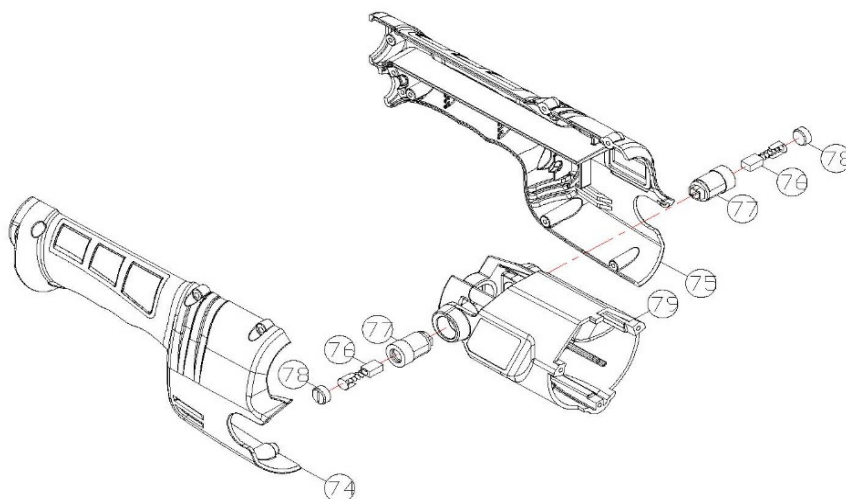
Mirkacode	Item	Description	Kit	QTY
	<b>47</b>	<b>Drive cable</b>	<b>x</b>	
	<b>48</b>	<b>Drive cable</b>	<b>x</b>	1
8394014911	49	Holding pin 6x39		1
<b>8394015011</b>	<b>50</b>	<b>Right fork</b>		1
<b>8394015111</b>	<b>51</b>	<b>Left fork</b>		1
<b>8394015211</b>	<b>52</b>	<b>Screw M4x16</b>		2
<b>8394015311</b>	<b>53</b>	<b>Screw M5</b>		4
<b>8394015411</b>	<b>54</b>	<b>Pivot base</b>		1
<b>8394015511</b>	<b>55</b>	<b>Pivot connecting bracket</b>		1
<b>8394015611</b>	<b>56</b>	<b>Connecting spindle M14 x 2</b>		1
	57	Ball bearing 6002-2RSH	<b>x</b>	1
<b>8394015811</b>	<b>58</b>	<b>External circlip R-32</b>		1
<b>8394015911</b>	<b>59</b>	<b>Spring 2x45x49x40Lx4T</b>		1
	60	Vacuum hose kit	<b>x</b>	1
	61	Spring	<b>x</b>	1
	62	Clamp	<b>x</b>	1
<b>8394016311</b>	<b>63</b>	<b>Sanding plate cover</b>		1
<b>8394016411</b>	<b>64</b>	<b>Internal circlip S-40</b>		1
<b>8394018511</b>	<b>65</b>	<b>Sanding plate base 225 mm 16 holes</b>		1
<b>8394018611</b>	<b>66 A</b>	<b>Interface 225 mm 8+1H 17mm Medium</b>		1
<b>8394018711</b>	<b>66 B</b>	<b>Interface 225mm 8+1H 15mm Hard</b>		Optional
<b>8394018621</b>	<b>66 C</b>	<b>Interface 225mm 8+1H 22mm Medium</b>		1
	67	External circlip R-30	<b>x</b>	1
<b>8394016811</b>	<b>68</b>	<b>Dust guide</b>		1
	69	Shaft race M14x20x6,5	<b>x</b>	1
	70	Radial shaft seal 20x32x5	<b>x</b>	1
8394017111	71	Wrench M6		1
<b>8394017211</b>	<b>72</b>	<b>Thumb wheel</b>		1
8394017311	73	Sun washer		1
	74	Right handle cover		1
	75	Left handle cover		1
	76	Carbon brush		2
	77	Carbon brush holder		1
	78	Brush cap		1
	79	Motor housing		1
<b>8394018011</b>	<b>80</b>	<b>Stator 230 V, Upgraded</b>		1
8394112111	80-1	Stator 110 V		1
<b>8394018111</b>	<b>81</b>	<b>Fan Shroud</b>		1
8394018211	82	Woodruff Key		1
<b>MIN6529211</b>	<b>83</b>	<b>Fastening Straps Kit</b>		6
<b>8394019911</b>	<b>84</b>	<b>Bail Handle</b>		1
<b>8394020011</b>	<b>85</b>	<b>Carry Bag</b>		
8394018601	86	Felt washer	<b>x</b>	5
	<b>87</b>	<b>Hose Protection Device (right)</b>	<b>x</b>	1
	<b>88</b>	<b>Hose Protection Device (left)</b>	<b>x</b>	1
	<b>89</b>	<b>Screw</b>	<b>x</b>	1
	<b>90</b>	<b>Screws</b>	<b>x</b>	3
Mirkacode		Accessories:	QTY	
<b>8394020011</b>	<b>84</b>	<b>Mirka carry bag</b>		
<b>8394019911</b>	<b>85</b>	<b>Bail handle</b>		
<b>8394040011</b>		<b>Harness</b>		
<b>8394041011</b>		<b>Hook for harness</b>		
<b>8394090011</b>		<b>Cardboard box for Miro 955</b>		
<b>8394290011</b>		<b>Cardboard box for Miro 955-S</b>		

### Specific spare parts for old version of 955 230V, 915 110V & 915-S 230V



MirkaCode:	Item	Description	Qty/machine
8394010511	5	Screw M4x16	1
8394010611	6	Right handle cover	1
8394010711	7	Left handle cover	1
8394011711	17	Screw M4x10	4
8394021811	18	Carbon brush kit	2
8394011911	19	Carbon brush holder	2
8394012011	20	Motor housing	1

### Specific spare parts for new version of 955 230V (from serial no 4300001)



MirkaCode	Item	Description	Qty/machine
8394017411	74	Right handle cover	1
8394017511	75	Left handle cover	1
8394027611	Carbon brush & cap kit		
	76	Carbon brush	2
	78	Brush cap	1
8394017711	77	Carbon brush holder	2
8394017911	79	Motor housing	1